

ENC-04NM Series

Summarize:

This Damper Actuator used in Heating/Ventilation conditioning Automation control.



Characters:

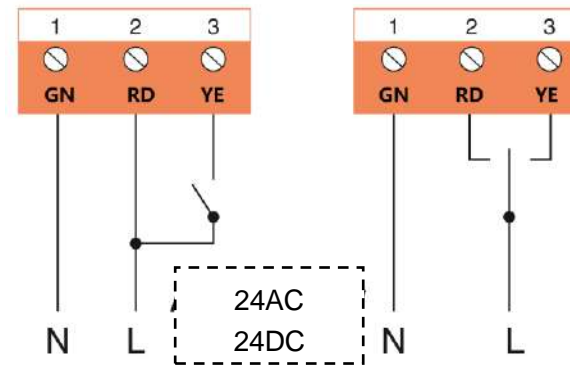
- Convenient install: Fix on throttle axis through universal holding device;
 - Manual control: Manual control through buttons available in case;
 - High reliability: Actuator itself has ability of over-loading protect. It stops automatically without a limit switch;
 - Mechanical limit: A mechanical limit operator is placed inside
- Output signal: Output a signal amount 0-100%

Technic specification:

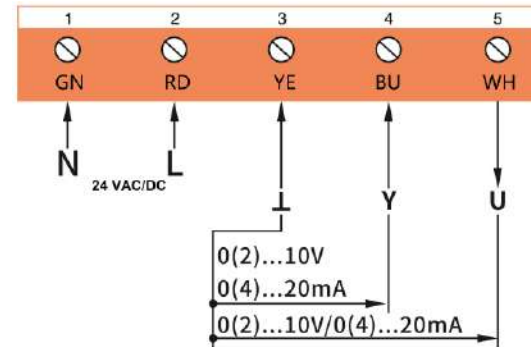
Item	ENC-04AN/24VAC	ENC-04DN/24VAC
Torque	4Nm	
Damper area	1m ²	
Running time	25s	
Power supply	AC/DC 24V 50/60Hz	
Operating Power	4,5W	
Shopping weight	1.0Kg	
Control signal	0(2)-10V~0(4)-20ma	2point and 3 point
Rotation angle	Max 95°	
Rotation ways	L/R Switch	
Life cycle	70.000 cycles	
Noise level	Max 45dB	
Protection level	IP 54	
Ambient	-20 ~ +50° C	-30 ~ +50°C
Ambient humidity	5~95% RH	
Certificate	CE	

Wiring Diagram:

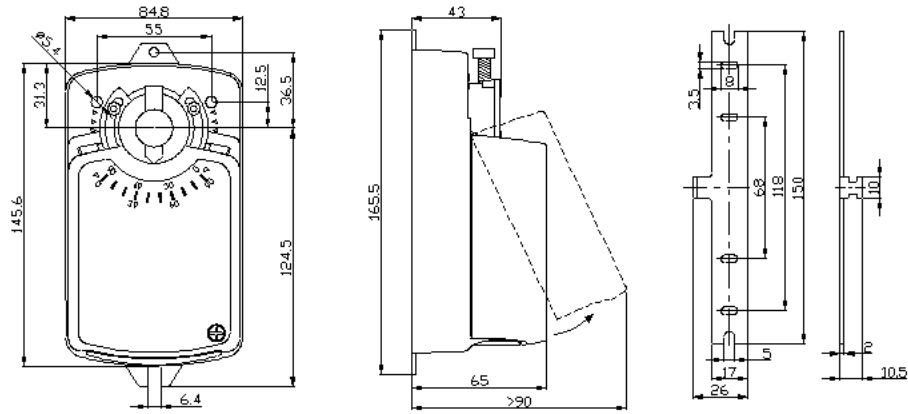
ENC-04DN:



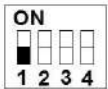
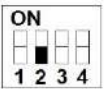
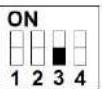
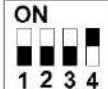
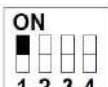
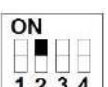
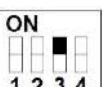

ENC-04AN:



Dimensions(mm):



Function Setting Switch AN Series:

No1: Mode of feedback signal	No2: Control of starting signal	No3: Mode of control signal	No4: Direction of Rotation
			
OFF: voltage signal 0 (2)...10V feedback	OFF: voltage 0...10V or current 0...20ma Input	OFF: Voltage signal 0 (2)..10V Input	OFF: Anticlockwise
			
ON: Current Signal 0(4)...20ma feedback	ON: voltage 2..10V or current 4..20ma Input	ON: Current signal 0 (4)...20ma	ON: Clockwise