



**ENC-08AN/16AN/24AN/32AN**

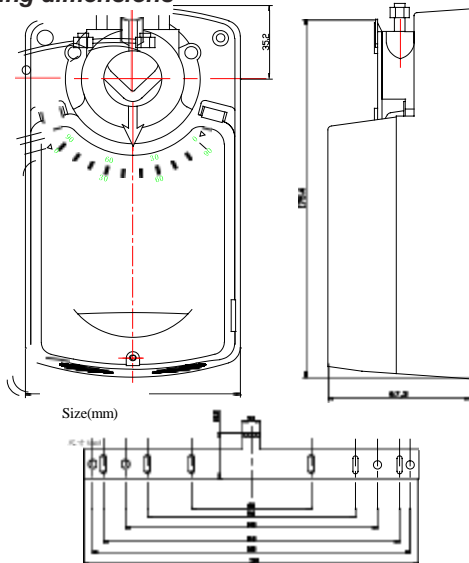


High quality damper actuators have been designed for use with air damper, butterfly valve, characterized ball valve and globe valve with the use of special adapter.

**Features**

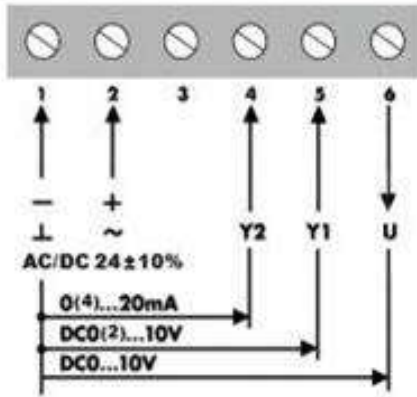
- 0(2) ... 10 VDC and 0(4) ...20 mA control
- Universal Spindle Clamp for easy direct mounting
- Anti-rotation bracket provided for stability
- Manual over ride by push button when required
- Adjustable angle of rotation
- Parallel connection up to 10 actuators
- 2 adjustable SPDT auxiliary switches **when requested**
- Power saving at end stops
- Customised version available, on request

**Mounting dimensions**



**Specifications**

Item	ENC-08AN	ENC-16AN	ENC-24AN	ENC-32AN
Torque	8Nm	16Nm	24Nm	32Nm
Damper area	1.5 m <sup>2</sup>	3m <sup>2</sup>	4.5 m <sup>2</sup>	6m <sup>2</sup>
Running Time	45s	110s	160s	180s
Power supply	AC-24V / DC-24V			
Frequency	50/60Hz			
Power consumption	Operating: 4.0W At the end stops: 0.7W			
Wiring size	0.5 m <sup>2</sup>			
Shipping weight	1.1Kg			
Control signal	0(2)... 10 VDC / 0(4) ...20 mA			
Rotation angle	0~90°			
Limit angle	5~85° (5°increment)			
Auxiliary switch	3 (1.5) Amp 230V <b>when request</b>			
Life cycle	60,000 cycles			
Noise level	45dB(A)			
Protection class	II			
IP protection	IP-54			
Ambient	-20 ~ +50 °C			
Ambient humidity	5 ~ 95% RH			
Storage	-40 ~ +70 °C			
Certificate	CE and ISO9000			



Microswitch **c**

DC0...10V  
0-20mA



DC2...10V  
4-20mA



Microswitch **d**

